

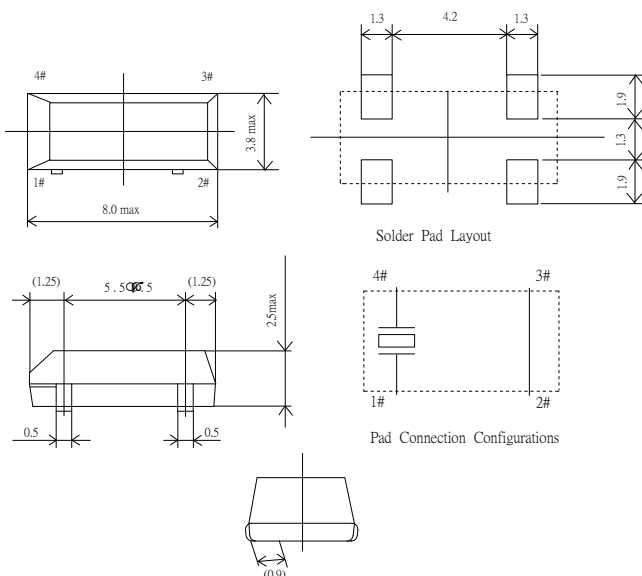
Standard Specifications

Item	Model Type	CM200C	CM519
Frequency		32.768KMZ	
Frequency Tolerance At 25°C		±20ppm MAX	±20ppm MAX
Turnover Temperature		25°C ± 5°C	25°C ± 5°C
Operating Temperature Range		-40°C to +85°C	-40°C to +105°C
Storage Temperature Range		-55°C to +125°C	-55°C to +125°C
Equivalent Series Resistance(ESR)		50 KΩ max.at 25°C	70 KΩ max.at 25°C
Load Capacitance		12.5 pF Typ	12.5 pF Typ
Temperature Coefficient		-0.034+/-0.006ppm/°C	-0.034+/-0.006ppm/°C
Shunt Capacitance		1.33 pF TYP	1.33 pF TYP
Drive Level		1 Micro W Max	1 Micro W Max
Aging (First year)		±3ppm/Year	±3ppm/Year
Insulation Resistance		500M Ω Min/DC100V+/-15V	

*Detail specifications refer to the individual specification

Dimensions (unit: mm)

CM200C



CM519

